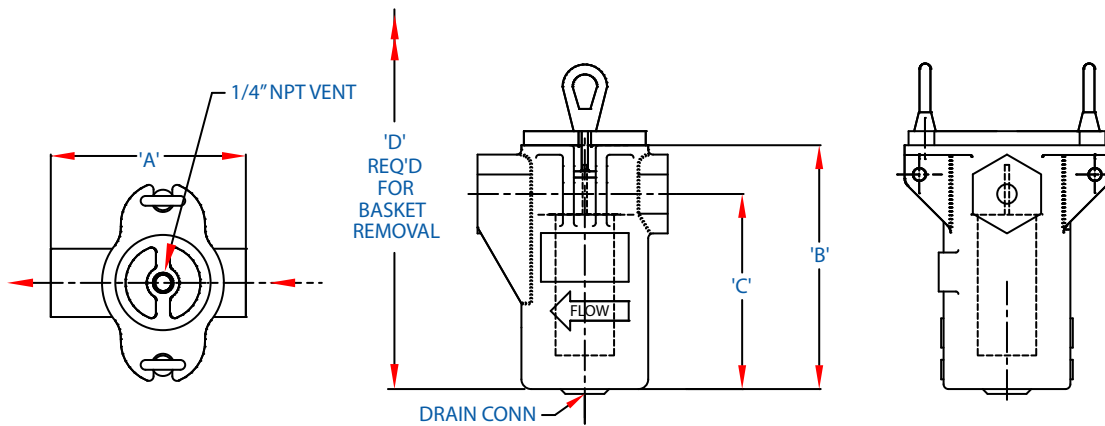
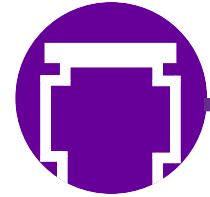




Series 115 NPT Basket Strainer Cast Iron, Cast Steel, and Cast 316 Stainless Steel Swing Bolt O-Ring Closure



Size Connection	A	B	C	D	Drain NPT	Weight	Cv
3/4" NPT 20 mm	5" 127.0 mm	6-1/4" 158.8 mm	5" 127.0 mm	12-1/4" 311.2 mm	1/4" NPT	11 lbs. 5 kg.	15 GPM 57 LPM
1" NPT 25 mm	5" 127.0 mm	6-1/4" 158.8 mm	5" 127.0 mm	12-1/4" 311.2 mm	1/4" NPT	11 lbs. 5 kg.	25 GPM 95 LPM
1-1/4" NPT 32 mm	7-5/8" 193.7 mm	9-3/4" 247.7 mm	8" 203.2 mm	18-3/4" 476.3 mm	1/4" NPT	33 lbs. 15 kg.	32 GPM 121.6 LPM
1-1/2" NPT 38 mm	7-5/8" 193.7 mm	9-3/4" 247.7 mm	8" 203.2 mm	18-3/4" 476.3 mm	1/4" NPT	33 lbs. 15 kg.	53 GPM 201.4 LPM
2" NPT 50 mm	7-5/8" 193.7 mm	9-3/4" 247.7 mm	8" 203.2 mm	18-3/4" 476.3 mm	1/4" NPT	33 lbs. 15 kg.	85 GPM 323 LPM

Notes: Other drain sizes and vents are available for special applications.
 Dimensions subject to change without notice. Apply for certified drawings.

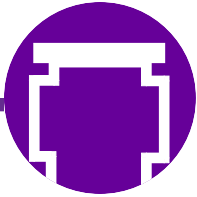
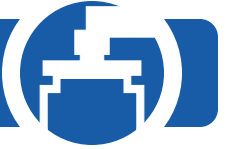
Standard Construction			
	Cast Iron	Cast Steel	Cast 316 Stainless Steel
Body	Class 30 ASTM A126B	A216 Grade WCB	A351 Grade CF8M
Cover	Class 30 ASTM A126B	A216 Grade WCB	A351 Grade CF8M
O-ring	Viton	Viton	Viton
Basket	Available in 1/32", 1/16", or 1/8" perforations and 40 mesh and 80 mesh - 316 Stainless Steel		

Operating Limits on Seal Gaskets		
Elastomer	°F	°C
Buna-N	257	125
EPDM	302	150
Viton ¹	437	225
Silicone ²	482	250

¹Supplied as standard
²Do not use for paint applications

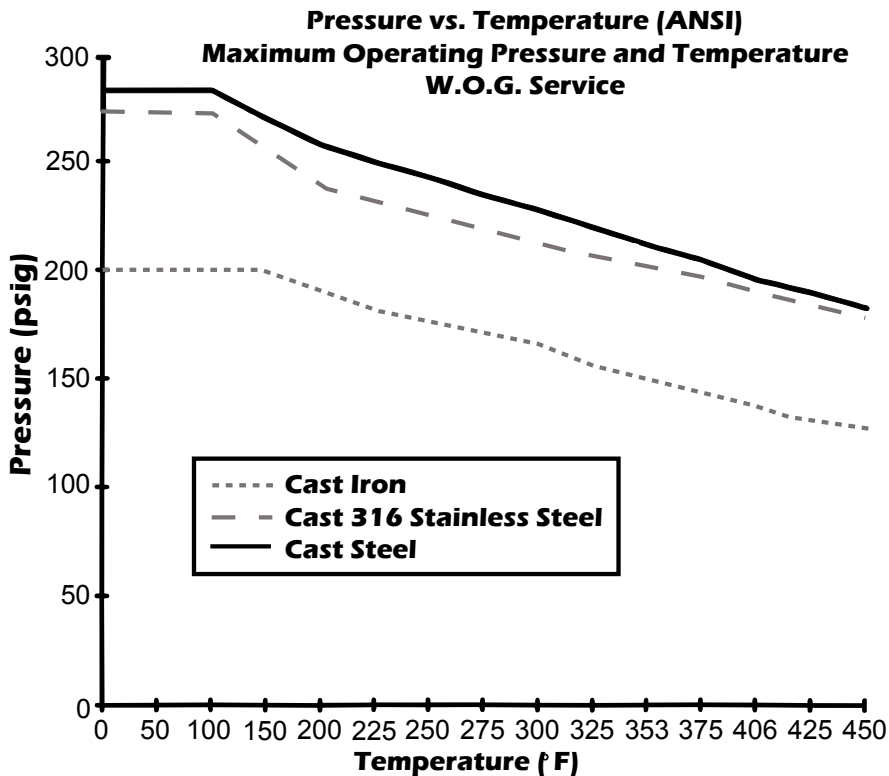
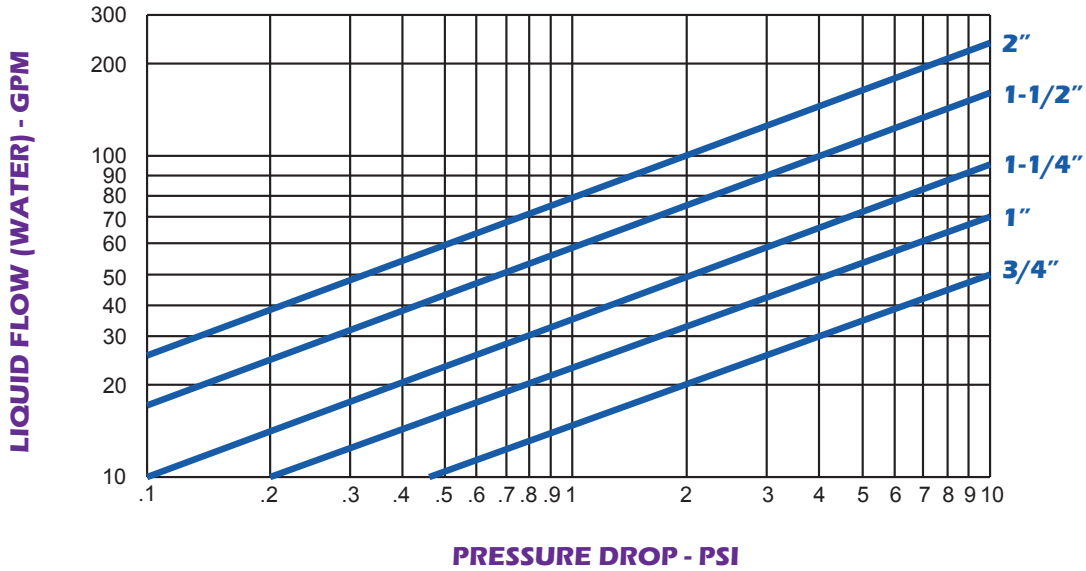
Options

- Baskets are available in other materials, perforations, and meshes. Please consult the factory
- British thread sizes (BSP) available upon request.



Series 115 NPT Basket Strainer

Cast Iron, Cast Steel, and Cast 316 Stainless Steel
 Swing Bolt O-Ring Closure



"Engineered Products for Demanding Applications, Performance, and Service"