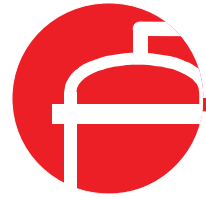


## Model 626 Bag Filter Multi-Bag Housing

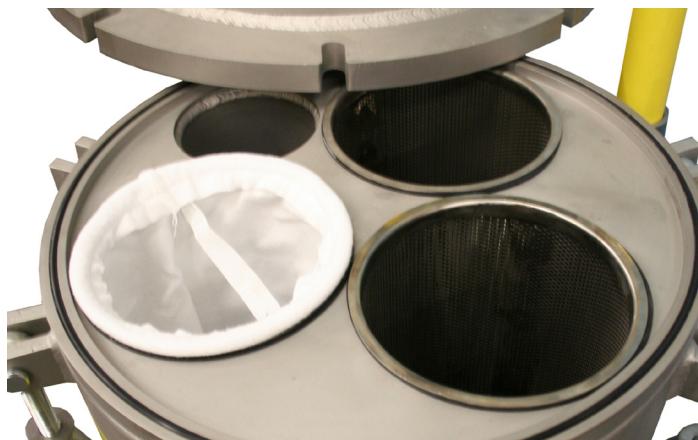


The Model 626 is a pressure vessel installed in a pipeline to remove unwanted solids from fluids. The Model 626 is used in applications where flow can be interrupted for bag replacement (duplex arrangements are available upon request).

The Model 626 is designed with .4 to .5 cu. ft. debris holding capacity (per bag) that allows for a longer run time. Along with a large holding capacity, they can also be used for iron recovery by including our MagnaFilt Bag option. The incorporation of the swing bolt closure eliminates the use of any tools and also eliminates the need for nuts and bolts as in other designs in the market place.

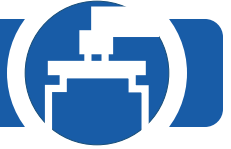
### STANDARD FEATURES:

- Swing Bolt Closure
- Standard Housing Materials are carbon steel, 304 stainless steel, or 316 stainless steel
- Inlet/Outlet Connections are ANSI Flanges or NPT
- Vent and Drain Connections are NPT
- Two 1/4" NPT Instrument Connections
- Viton® Seals
- Design Working Pressure: 150 psig
- Design Working Temperature: 200°F
- Designed, manufactured, and tested generally in accordance with ASME Section VIII, Division 1 with welders qualified to Section IX



### OPTIONS:

- ANSI flanges for vent and drain connections
- Support baskets are available in other materials, perforations, and meshes
- Other design pressures and temperatures are available upon request
- ASME SEC VIII Div 1 Code "U" Stamp



## Model 626 Bag Filter Multi-Bag Housing

### FILTER BAG DESIGN:

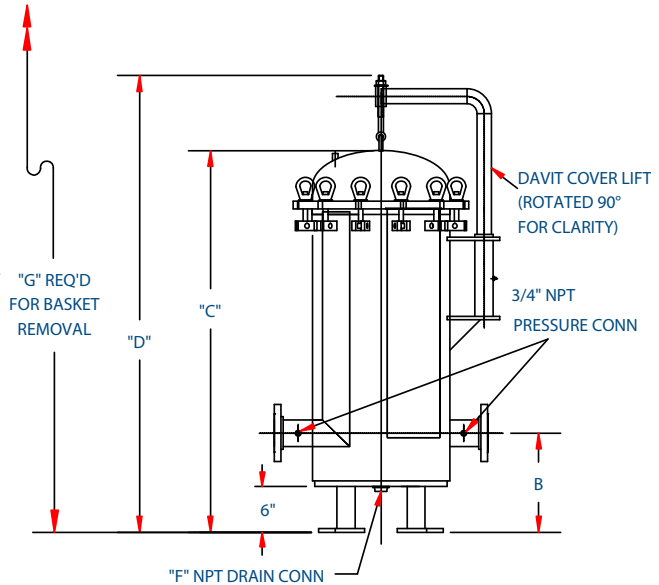
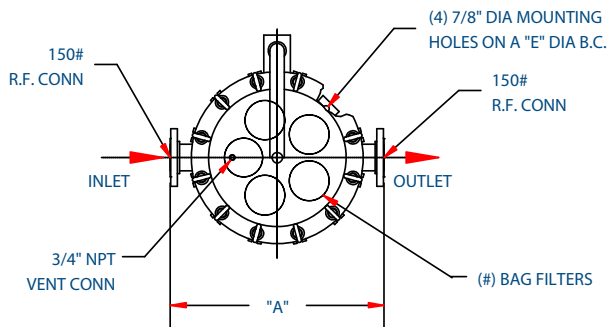
- Silicon-free thread used
- Grade 69 thread is used with a measured tensile strength of up to 15 pound per strand
- Three threads in our overlock stitch, and to rule out raveling, two additional threads in a true safety chain stitch are used.
- Materials:
  - \* Polypropylene
  - \* Polyester
  - \* Nylons
  - \* Nomex®
  - \* Oil Absorbent  
(Available In Singed or Plain Fabrics)

### FILTER BAG NOTE:

Recommended MAXIMUM flow rates per bag:

1μ - 3μ	40 GPM
5μ - 10μ	80 GPM
15μ & up	100 GPM

Viscosity of liquids and debris loading will affect these flow rates.



Model	# of Bags	Available Nozzle Size	A	B	C	D	E	F	G
626-XXX16-	2	2", 3", 4"	26" 660mm	13" 330mm	50" 1270mm	60" 1524mm	16" 406mm	1" NPT	74" 1880mm
626-XXX18-	3	2", 3", 4"	28" 711mm	13" 330mm	50" 1270mm	60" 1524mm	18" 457mm	1" NPT	74" 1880mm
626-XXX22-	4	3", 4", 6"	32" 813mm	13" 330mm	52" 1321mm	62" 1600mm	22" 610mm	1" NPT	76" 1930mm
626-XXX24-	6	4", 6", 8"	34" 864mm	13" 330mm	53" 1346mm	63" 1600mm	24" 610mm	1-1/2" NPT	77" 1956mm
626-XXX30-	8	4", 6", 8"	40" 1016mm	13" 330mm	55" 1397mm	65" 1651mm	30" 762mm	1-1/2" NPT	79" 2007mm

**Note:** "-XXX" denotes nozzle size: -020 (2"), -030 (3"), -040 (4"), -060 (6"), -080 (8").

Dimensions subject to change without notice. Apply for certified drawings. Contact us for custom dimensions and drawings.